

PORTABLE COMPACTORS



PRODUCT GUIDE

WWW.GREENBANKWASTESOLUTIONS.CO.UK



PCS

**THE GREENBANK
HYDRAULIC
PORTABLE COMPACTOR
RANGE COMES WITH
TWO MODELS.**

**THE PCS WHICH IS OUR STANDARD
UNIT AND THE PCW WHICH IS
ESPECIALLY MANUFACTURED AND
DESIGNED FOR WASTE WITH HIGH
LIQUID CONTENT.**

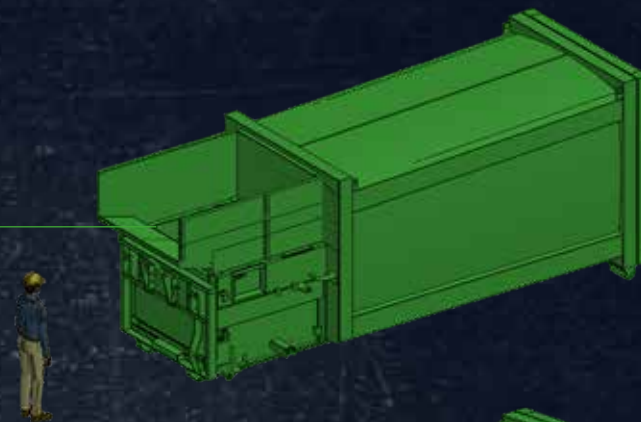


PCW

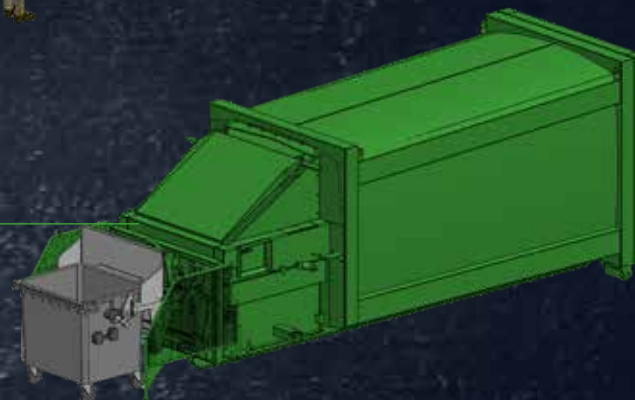
BOTH MODELS BENEFIT FROM HIGH COMPACTION FORCES, LARGE LOADING OPENINGS AND STRONG ROBUST CONSTRUCTIONS AS STANDARD.

EACH MODEL IS AVAILABLE WITH VARIOUS DIFFERENT CONFIGURATIONS OF FEEDING HOPPERS, HOPPER LIDS, BINLIFTERS OR REMOTE CONTROL ADAPTIONS. ALL BUILT TO SUIT YOUR EXACT REQUIREMENTS.

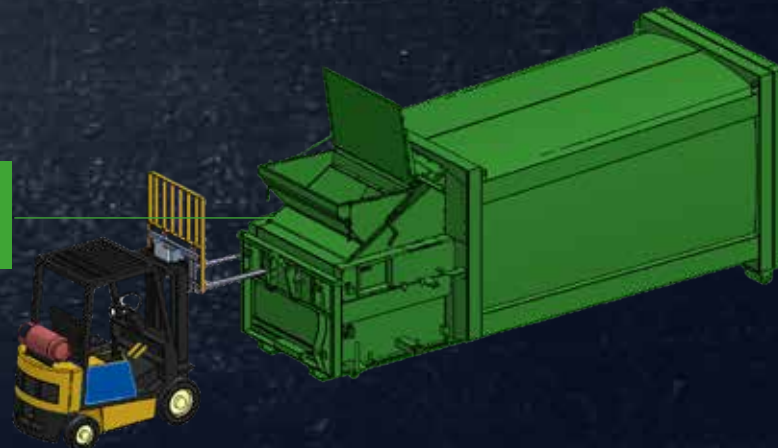
HAND LOAD



BIN LIFT



FORK LIFT



PCS MODELS

Greenbank's range of portable compactors are designed for handling large volumes of recyclables, residual waste and ordinary commercial waste.

These machines benefit from high compaction forces, large loading openings and strong robust constructions as standard.

Each model is available with various different configurations of feeding hoppers, hopper lids, binlifters or remote control adaptations. All built to suit your exact requirements.



PCS8

PORTABLE COMPACTOR

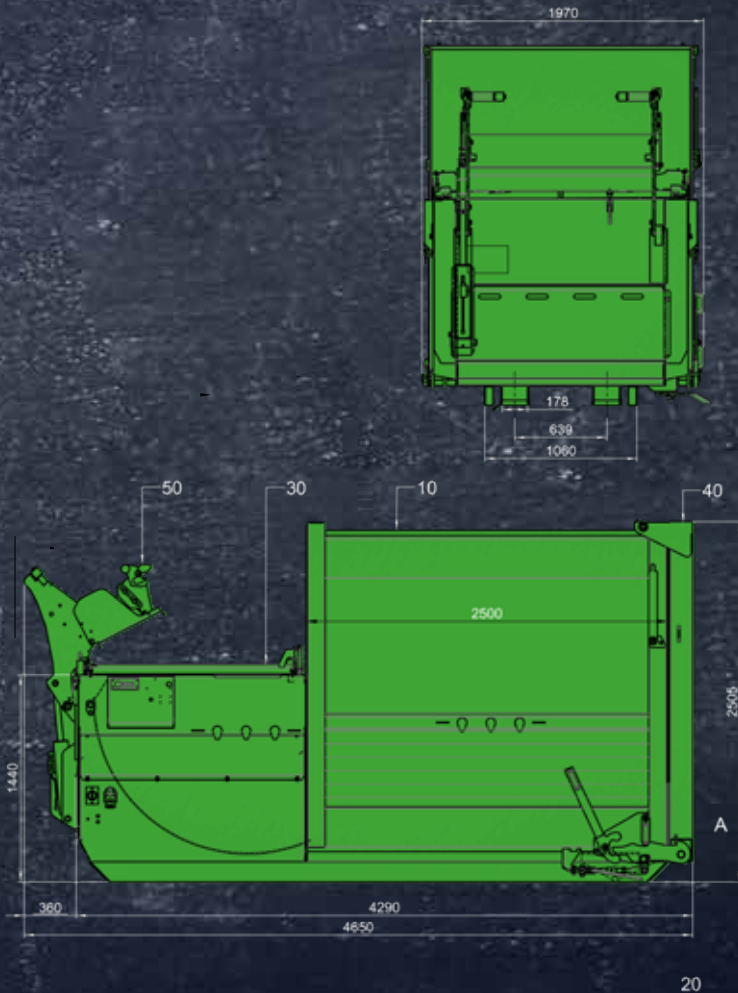
LOADING HEIGHT

THE PCS8 FEATURES AN EXTREMELY LOW LOADING HEIGHT (1300MM), MAKING LOADING EFFORTLESS.

BESPOKE FOR YOU

EACH MODEL IS AVAILABLE WITH DIFFERENT CONFIGURATIONS OF FEEDING HOPPERS, HOPPER LIDS, BINLIFTERS OR REMOTE-CONTROL ADAPPTIONS.

- CONICAL SHAPE CONTAINER TO ENABLE EASY EMPTYING
- SUSPENDED RETAINING CLAWS PREVENTING SPRINGBACK FROM WASTE MATERIAL
- LARGE SPACIOUS LOADING APERTURE FOR EASY LOADING



Lifting System Type

Container Volume	mcu	8
Hopper Volume	mcu	1.72
Stroke Capacity	mcu	1.22
Cycle Time	sec	23
Compaction Force (tonnes)	t	23
Overall Length	mm	3970
Overall Width	mm	1990
Overall Height	mm	2360
Hopper Length	mm	1440
Hopper Width	mm	1630
Loading Height	mm	1300
Ram Stroke	mm	1230
Overall Machine Weight	kg	3160
Max Loaded Weight	kg	6500
Electric Supply		32amp/5.5kw/415V

LOADING OPTIONS



HAND LOAD



BIN LIFT



FORK LIFT

PCS10

PORTABLE COMPACTOR

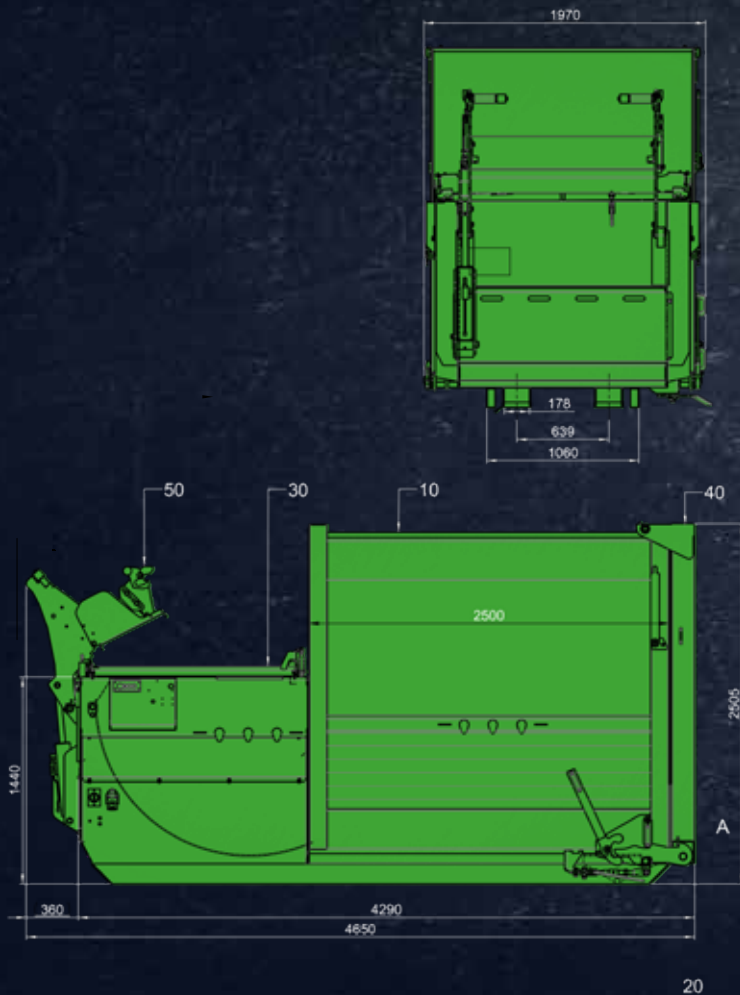
LOADING HEIGHT

THE PCS10 FEATURES AN EXTREMELY LOW LOADING HEIGHT (1300MM), MAKING LOADING EFFORTLESS.

BESPOKE FOR YOU

EACH MODEL IS AVAILABLE WITH DIFFERENT CONFIGURATIONS OF FEEDING HOPPERS, HOPPER LIDS, BINLIFTERS OR REMOTE-CONTROL ADAPPTIONS.

- CONICAL SHAPE CONTAINER TO ENABLE EASY EMPTYING
- SUSPENDED RETAINING CLAWS PREVENTING SPRINGBACK FROM WASTE MATERIAL
- LARGE SPACIOUS LOADING APERTURE FOR EASY LOADING



Lifting System Type

Container Volume	mcu	10
Hopper Volume	mcu	1.72
Stroke Capacity	mcu	1.22
Cycle Time	sec	23
Compaction Force (tonnes)	t	23
Overall Length	mm	4650
Overall Width	mm	1970
Overall Height	mm	2505
Hopper Length	mm	1440
Hopper Width	mm	1630
Loading Height	mm	1440
Ram Stroke	mm	1230
Overall Machine Weight	kg	3160
Max Loaded Weight	kg	6500
Electric Supply		16amp 3-PHASE N+E

LOADING OPTIONS



HAND LOAD



BIN LIFT



FORK LIFT

PCS 16

PORTABLE COMPACTOR

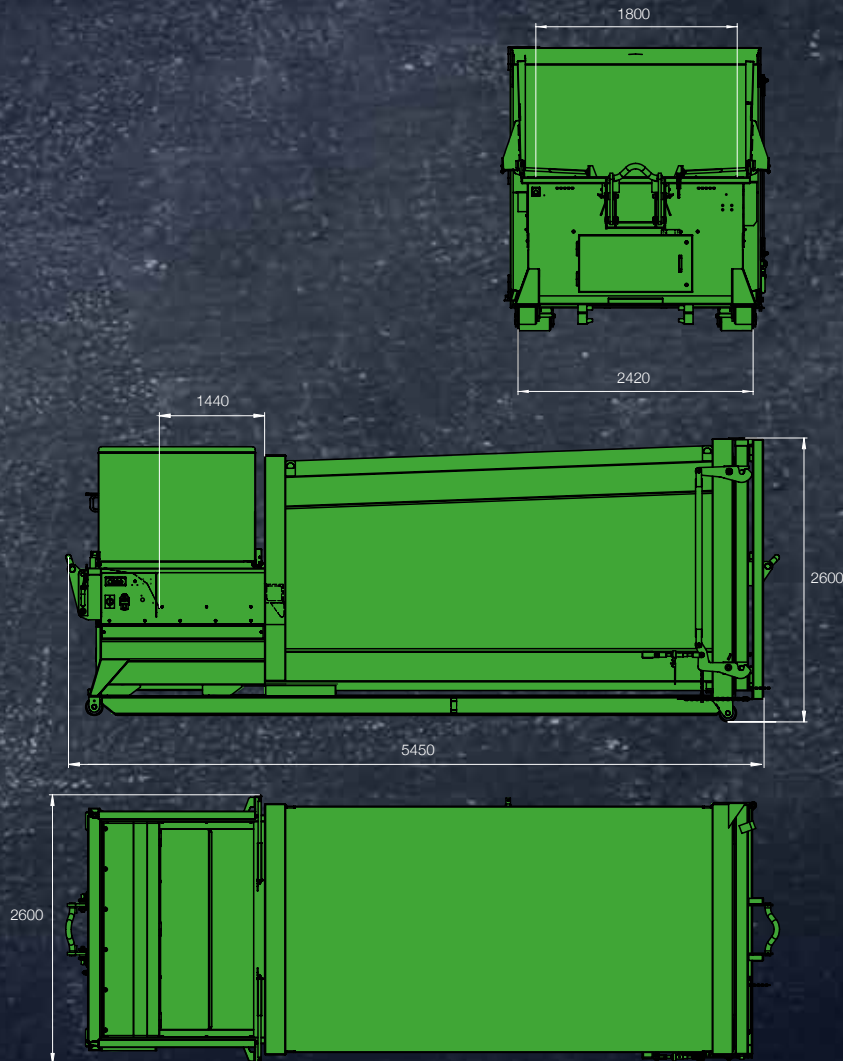
LOADING HEIGHT

THE PCS16 BENEFITS FROM HIGH COMPACTION FORCES, LARGE LOADING OPENINGS AND STRONG ROBUST CONSTRUCTIONS AS STANDARD.

BESPOKE FOR YOU

EACH MODEL IS AVAILABLE WITH DIFFERENT CONFIGURATIONS OF FEEDING HOPPERS, HOPPER LIDS, BINLIFTERS OR REMOTE-CONTROL ADAPTIONS. ALL BUILD TO SUIT YOUR EXACT REQUIREMENTS.

- CONICAL SHAPE CONTAINER TO ENABLE EASY EMPTYING
- SUSPENDED RETAINING CLAWS PREVENTING SPRINGBACK FROM WASTE MATERIAL
- LARGE SPACIOUS LOADING APERTURE FOR EASY LOADING



Lifting System Type

Container Volume	mcu	16
Hopper Volume	mcu	1.91
Stroke Capacity	mcu	1.36
Cycle Time	sec	36
Compaction Force (tonnes)	t	31
Overall Length	mm	5450
Overall Width	mm	2420
Overall Height	mm	2600
Hopper Length	mm	1440
Hopper Width	mm	1800
Loading Height	mm	1350
Ram Stroke	mm	1230
Overall Machine Weight	kg	4030
Max Loaded Weight	kg	10000
Electric Supply		32amp/5.5kw/415V

LOADING OPTIONS



HAND LOAD



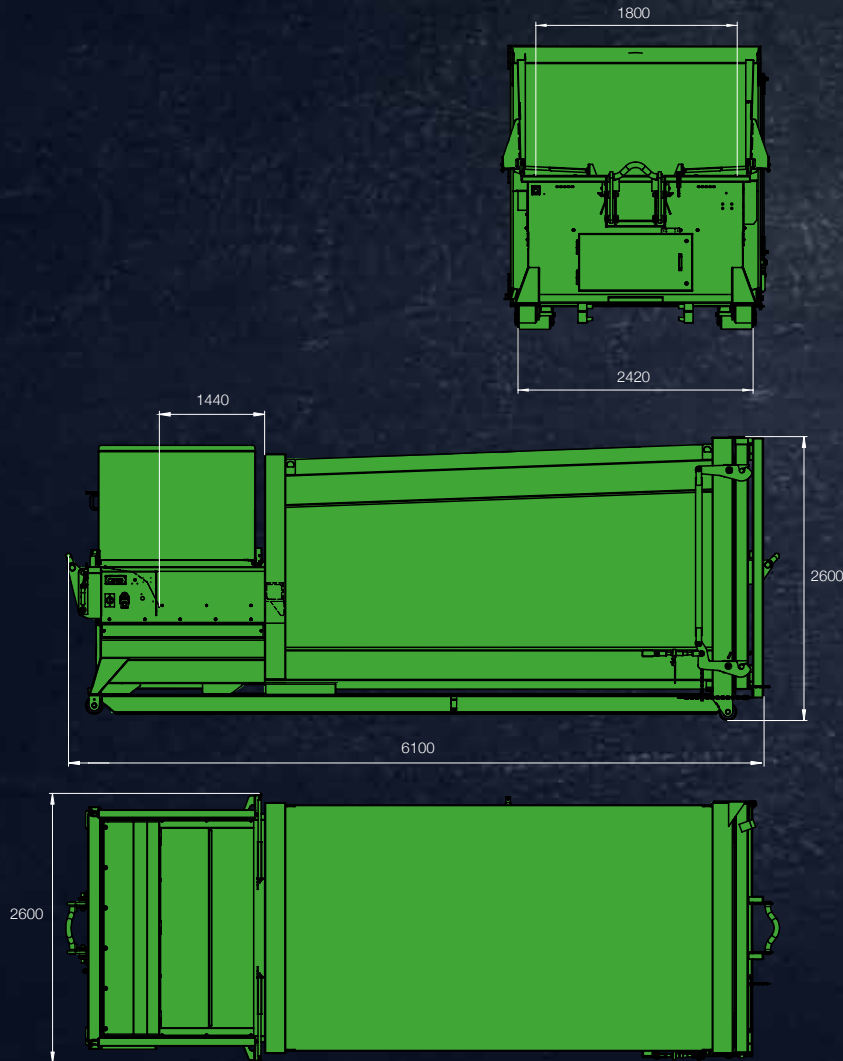
BIN LIFT



FORK LIFT

PCS23

PORTABLE COMPACTOR



LOADING HEIGHT

THE PCS23 BENEFITS FROM AN EXTREMELY LOW FILLING OPENING, MAKING THE LOADING OF THE PORTABLE COMPACTOR EASY FOR THE OPERATIVE. ALTHOUGH THE MATERIAL IS HIGHLY COMPACTED, THE REMOVAL IS EFFORTLESS DUE TO THE NEW DESIGN LOCKING MECHANISM.

BESPOKE FOR YOU

EACH MODEL IS AVAILABLE WITH DIFFERENT CONFIGURATIONS OF FEEDING HOPPERS, HOPPER LIDS, BINLIFTERS OR REMOTE-CONTROL ADAPTIONS. ALL BUILD TO SUIT YOUR EXACT REQUIREMENTS.

- CONICAL SHAPE CONTAINER TO ENABLE EASY EMPTYING
- SUSPENDED RETAINING CLAWS PREVENTING SPRINGBACK FROM WASTE MATERIAL
- LARGE SPACIOUS LOADING APERTURE FOR EASY LOADING

Lifting System Type

Container Volume	mcu	20
Hopper Volume	mcu	1.91
Stroke Capacity	mcu	1.36
Cycle Time	sec	36
Compaction Force (tonnes)	t	31
Overall Length	mm	6100
Overall Width	mm	2420
Overall Height	mm	2600
Hopper Length	mm	1440
Hopper Width	mm	1800
Loading Height	mm	1350
Ram Stroke	mm	1230
Overall Machine Weight	kg	4290
Max Loaded Weight	kg	12000
Electric Supply		32amp/5.5kw/415V

LOADING OPTIONS



HAND LOAD



BIN LIFT



FORK LIFT

OPTIONAL EXTRAS



SELF CLEANING - PCW

SELF-CLEANING PORTABLE COMPACTORS ARE IDEAL FOR COMPANIES HANDLING FOOD AND LIQUID WASTE.

OUR RANGE OF SELF CLEANING MODELS ARE NOT ONLY COMPLETELY SEALED AS STANDARD BUT ALSO COMES WITH A SELF-CLEANING COMPACTION BLADE. THIS HELPS TO AVOID THE PROBLEMS THAT ARISE IN STANDARD PORTABLE COMPACTION MODELS WHICH ACCUMULATE MESSY, STICKY WASTE BELOW AND BEHIND THE PRESS-BLADE.

THESE INCLUDE:



PCW8

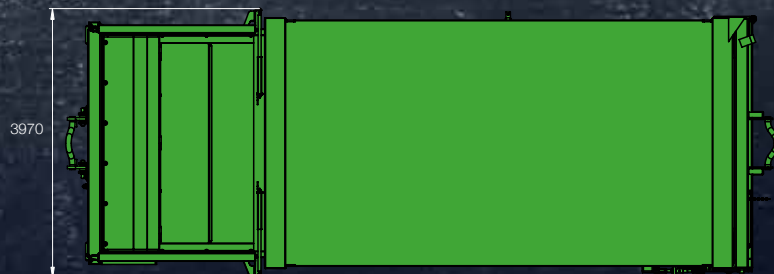
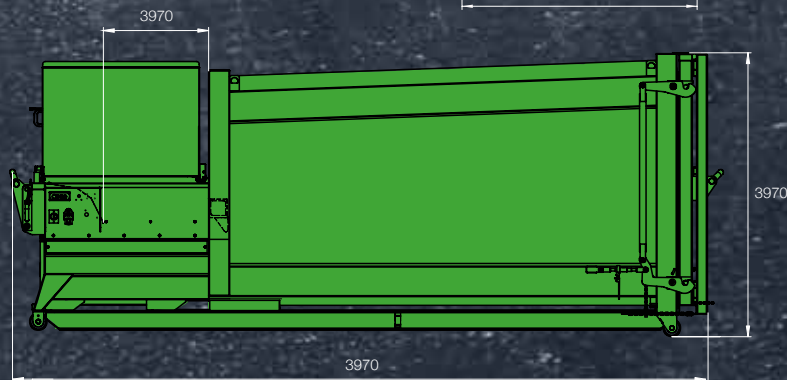
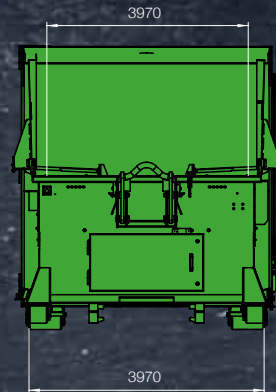
PORTABLE COMPACTOR

GREENBANK'S SPECIALLY MODIFIED PCW8 SELF CLEANING COMPACTOR IS COMPLETELY SEALED AS STANDARD AND ALSO COMES WITH A SELF-CLEANING COMPACTION BLADE

OUR SELF-CLEANING TECHNOLOGY MEANS:

- NO ACCESS POINT REQUIRED
- NO CLEANING BEHIND THE PRESS PLATE
- NO LEAKING FROM THE COMPACTOR
- A GUARANTEED LEAK-PROOF MACHINE
- INCREASED SAVING FROM EFFICIENT LIQUID DRAIN OFF
- REDUCED WEIGHT TO LANDFILL

- The self-cleaning portable compactor is also available with a drainage point, this allows for the efficient and controlled draining of liquid from the compactor chamber if required.
- This in turn reduces the pay load to land fill and enabled an increased volume of 'real waste' to be put in the compactor.



LOADING OPTIONS



HAND LOAD



BIN LIFT



FORK LIFT

Lifting System Type

Container Volume	mcu	8
Hopper Volume	mcu	2
Stroke Capacity	mcu	-
Cycle Time	sec	20
Compaction Force (tonnes)	t	28
Overall Length	mm	3830
Overall Width	mm	2040
Overall Height	mm	2500
Hopper Length	mm	1200
Hopper Width	mm	1430
Loading Height	mm	1460
Ram Stroke	mm	-
Overall Machine Weight	kg	2750
Max Loaded Weight	kg	6850
Electric Supply		32amp/5.5kw/415V

PCW16

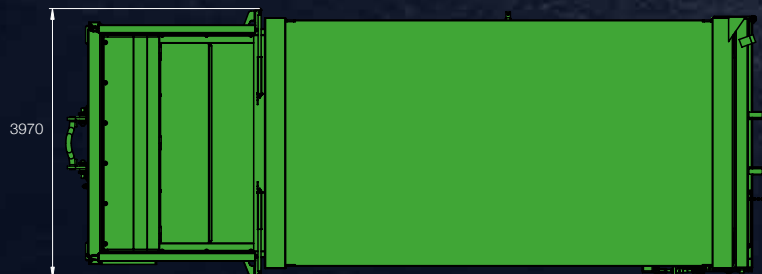
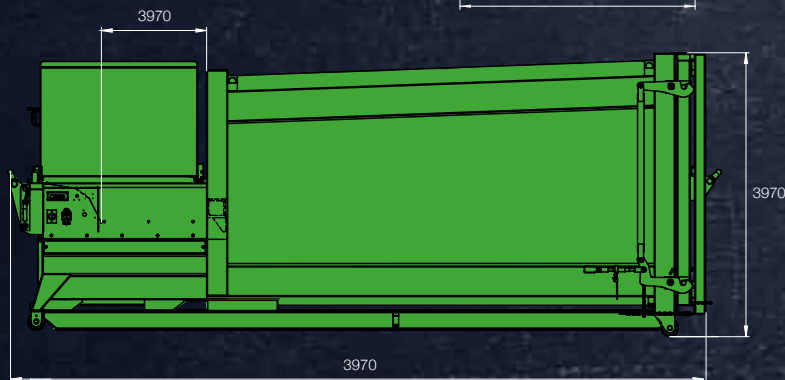
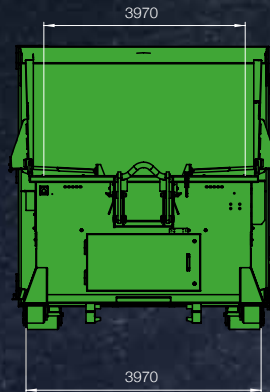
PORTABLE COMPACTOR

GREENBANK'S SPECIALLY MODIFIED PCW16 SELF CLEANING COMPACTOR IS COMPLETELY SEALED AS STANDARD AND ALSO COMES WITH A SELF-CLEANING COMPACTION BLADE.

OUR SELF-CLEANING TECHNOLOGY MEANS:

- NO ACCESS POINT REQUIRED
- NO CLEANING BEHIND THE PRESS PLATE
- NO LEAKING FROM THE COMPACTOR
- A GUARANTEED LEAK-PROOF MACHINE
- INCREASED SAVING FROM EFFICIENT LIQUID DRAIN OFF
- REDUCED WEIGHT TO LANDFILL

- The self-cleaning portable compactor is also available with a drainage point, this allows for the efficient and controlled draining of liquid from the compactor chamber if required.
- This in turn reduces the pay load to land fill and enabled an increased volume of 'real waste' to be put in the compactor.



LOADING OPTIONS



HAND LOAD



BIN LIFT



FORK LIFT

Lifting System Type

Container Volume	mcu	16
Hopper Volume	mcu	2
Stroke Capacity	mcu	-
Cycle Time	sec	20
Compaction Force (tonnes)	t	28
Overall Length	mm	5540
Overall Width	mm	2420
Overall Height	mm	2600
Hopper Length	mm	1200
Hopper Width	mm	1430
Loading Height	mm	1460
Ram Stroke	mm	-
Overall Machine Weight	kg	4150
Max Loaded Weight	kg	10000
Electric Supply		32amp/5.5kw/415V

PCW23

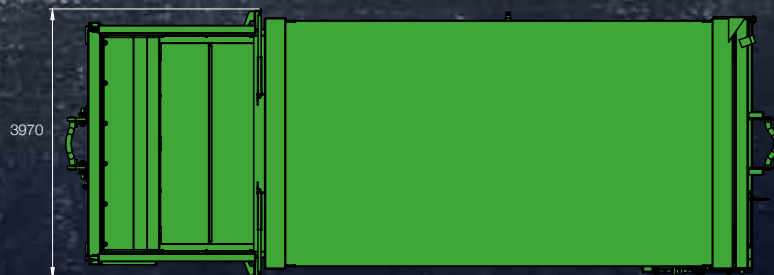
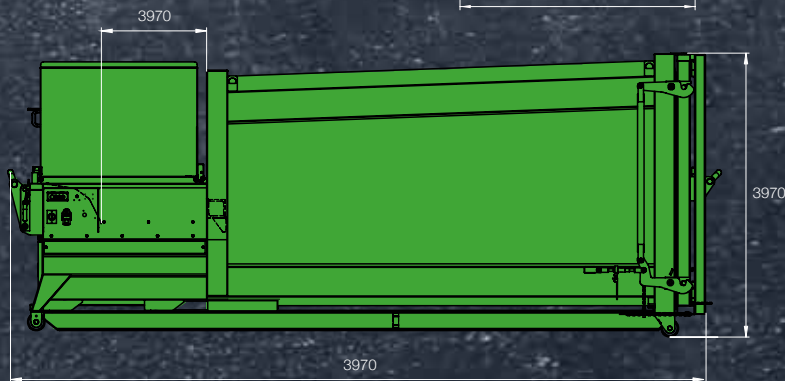
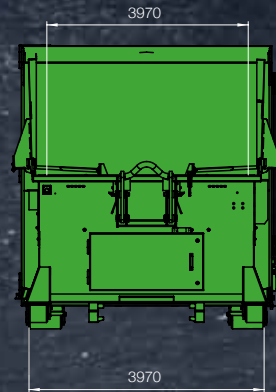
PORTABLE COMPACTOR

THE PCW23 IS THE LARGEST MACHINE IN GREENBANK'S RANGE OF SELF-CLEANING COMPACTORS, AND IS ALSO AVAILABLE WITH A DRAINAGE POINT.

OUR SELF-CLEANING TECHNOLOGY MEANS:

- NO ACCESS POINT REQUIRED
- NO CLEANING BEHIND THE PRESS PLATE
- NO LEAKING FROM THE COMPACTOR
- A GUARANTEED LEAK-PROOF MACHINE
- INCREASED SAVING FROM EFFICIENT LIQUID DRAIN OFF
- REDUCED WEIGHT TO LANDFILL

- The self-cleaning portable compactor is also available with a drainage point, this allows for the efficient and controlled draining of liquid from the compactor chamber if required.
- This in turn reduces the pay load to land fill and enabled an increased volume of 'real waste' to be put in the compactor.



Lifting System Type

Container Volume	mcu	20
Hopper Volume	mcu	2
Stroke Capacity	mcu	-
Cycle Time	sec	20
Compaction Force (tonnes)	t	28
Overall Length	mm	6190
Overall Width	mm	2420
Overall Height	mm	2600
Hopper Length	mm	1200
Hopper Width	mm	1430
Loading Height	mm	1460
Ram Stroke	mm	-
Overall Machine Weight	kg	4350
Max Loaded Weight	kg	12000
Electric Supply	32amp/5.5kw/415V	

LOADING OPTIONS



HAND LOAD



BIN LIFT



FORK LIFT

PRODUCT SPECIFICATION

Lifting System Type		PCS8	PCS10	PCS16	PCS23	PCW8	PCW16	PCW23
Container Volume	mcu	8	10	16	20	8	16	20
Hopper Volume	mcu	1.72	1.72	1.91	1.91	2	2	2
Stroke Capacity	mcu	1.22	1.22	1.36	1.36	-	-	-
Cycle Time	sec	23	23	36	36	20	20	20
Compaction Force (tonnes)	t	23	23	31	31	28	28	28
Overall Length	mm	3970	4650	5450	6100	3830	5540	6190
Overall Width	mm	1990	1970	2420	2420	2040	2420	2420
Overall Height	mm	2360	2505	2600	2600	2500	2600	2600
Hopper Length	mm	1440	1440	1440	1440	1200	1200	1200
Hopper Width	mm	1630	1630	1800	1800	1430	1430	1430
Loading Height	mm	1300	1440	1350	1350	1460	1460	1460
Ram Stroke	mm	1230	1230	1230	1230	-	-	-
Overall Machine Weight	kg	3160	3160	4030	4290	2750	4150	4350
Max Loaded Weight	kg	6500	6500	10000	12000	6850	10000	12000
Electric Supply	32amp/5.5kw/415V							



16.25
HOURS

**AVERAGE
CALL OUT TIME**

IN HOUSE ENGINEERS

OUR TEAM OF SAFE CONTRACTOR APPROVED ENGINEERS
OPERATE THROUGHOUT THE UK

**NATIONAL STOCK CENTRES
MINIMISING DOWNTIME**

SERVICE & BACKUP

Greenbank operates its own Alcumus SafeContractor Approved team of service engineers.

We've been installing, servicing and repairing waste handling equipment since 1993, be assured that your machines are in safe hands.

Our engineering team and critical parts are **strategically located throughout the UK** to minimise both your downtime and our carbon footprint.



SERVICING

It is a Health & Safety requirement to have your waste machinery serviced, planned preventative maintenance helps to identify possible problems before they turn into something that's possibly major. We cover all brands of waste machinery equipment.

During a service, our qualified engineer will check all moving parts, hydraulics and electrics. We use a PDA reporting system, our engineer's report can be emailed to you in preparation for your audits.

MASTERCARE CALL-OUT TIME



16-18 HRS

TYPICAL INDUSTRY PERFORMANCE



24-36 HRS

FIRST FIX RATE ON CALL-OUT BREAKDOWNS



98.3%

GREENBANK ALSO SUPPLY A RANGE OF OTHER INNOVATIVE WASTE HANDLING MACHINERY TO DEAL WITH THE FOLLOWING WASTE STREAMS;

CARDBOARD // POLYTHENE // HARD PLASTICS // STRAPPING // GENERAL WASTE // WOOD



GREENBANK, GREENBANK HOUSE, SOTHERBY ROAD, MIDDLESBROUGH TS3 8BX

+44 (0) 1642 249924 MAIL@GREENBANKGROUP.NET WWW.GREENBANKWASTESOLUTIONS.COM